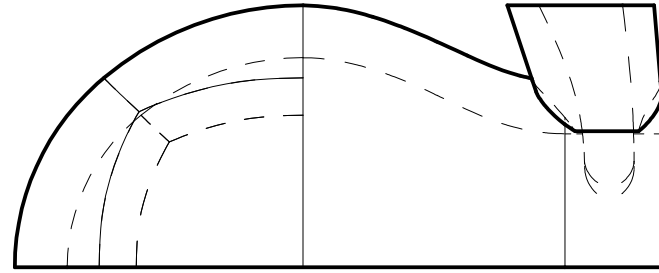
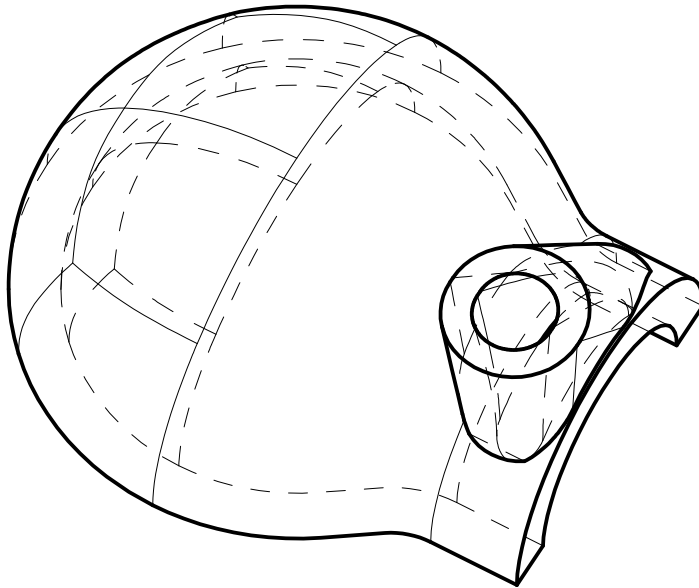


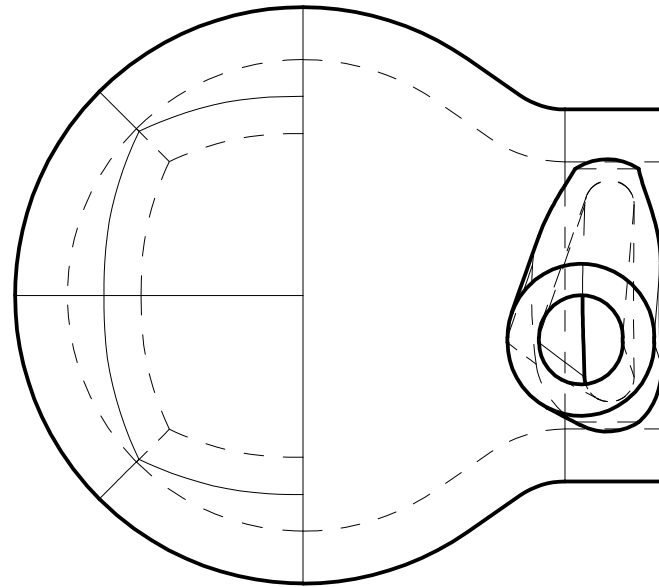
Right1



Front1

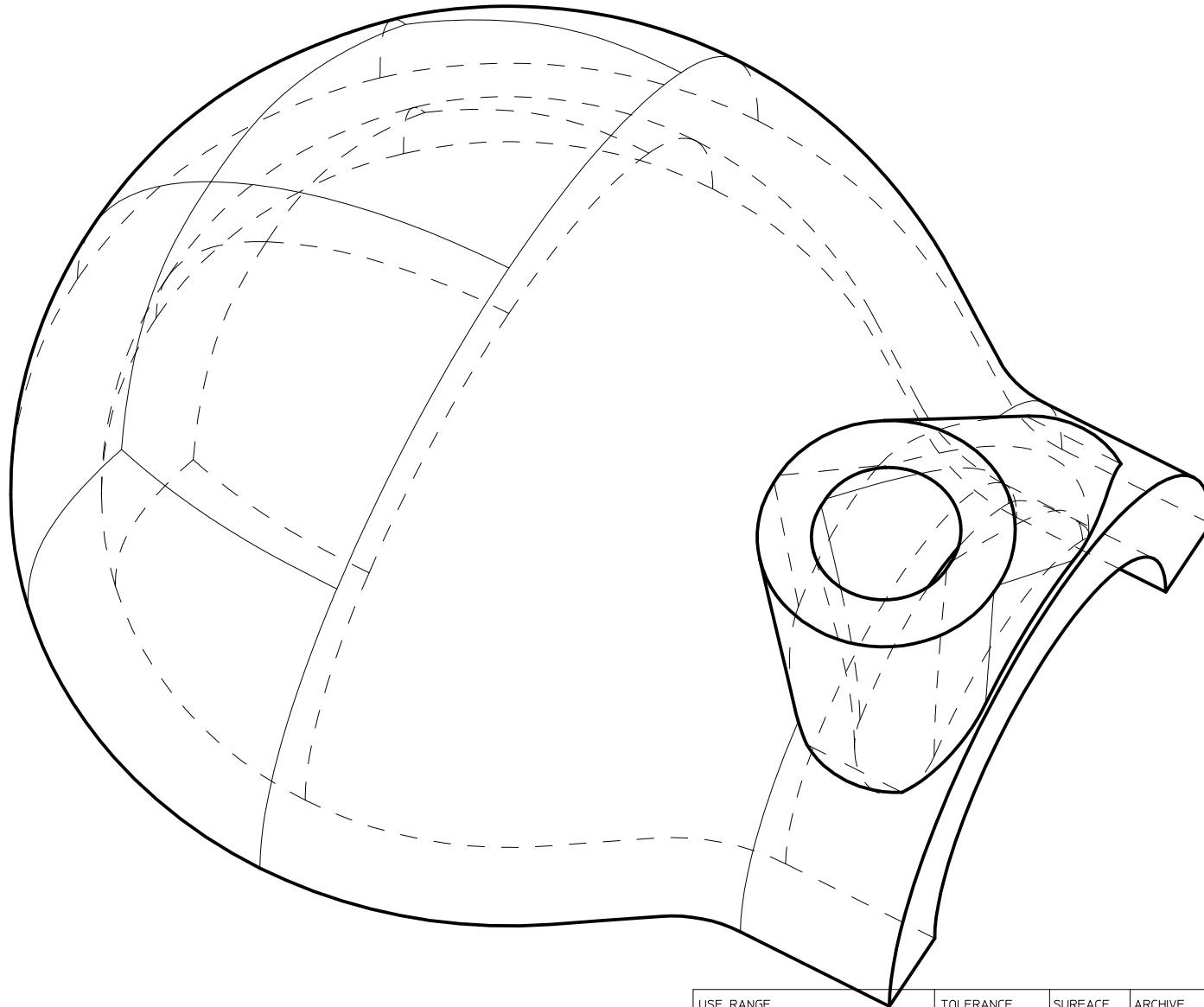


Is01



Top1

USE RANGE	TOLERANCE	SURFACE	ARCHIVE	SCALE 1:10
			MATERIAL	
		DATE	NAME	DESCRIPTION
		DRAWN		
		APPR.		
		RLS.		
			DRAWING-NUMBER	SHEET
			p2	1
				OF 2
INDEX DESCRIPTION	DATE	NAME	ORIGINAL	I.EXCH.F.
				I.EXCH.TH.



ISO2

USE RANGE		TOLERANCE		SURFACE		ARCHIVE		SCALE 1:5	
						MATERIAL			
				DATE	NAME	DESCRIPTION			
				DRAWN					
				APPR.					
				RLS.					
						DRAWING-NUMBER		SHEET	
						p2		2	
								OF 2	
INDEX	DESCRIPTION	DATE	NAME	ORIGINAL	I.EXCH.F.		I.EXCH.TH.		